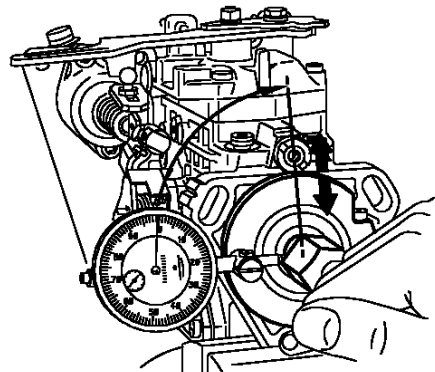


Руководства по ремонту компонентов

Наименование	Распределительный топливный насос
Ключ RB	0 460 494 444
Обозначение типа	VE4/9F2200R603-2

КМК03319



CHECKING TILT CLEARANCE

Slightly loosen clamping screw at dial-indicator holder following first measurement procedure. Turn dial-indicator holder with dial indicator through 90° to first measurement

Perform second tilt-clearance measurement in this measurement plane. The tilt clearance must not exceed max. 0.25 mm in both measurement planes.

Руководства по ремонту компонентов

Руководство

plane. Tighten clamping screw again.

28.11.2016

12:49:48